



Dimensions & Weights

CG Model

PUMP	DIMENSIONS (INCHES)																				KEYWAY	WEIGHT (LBS.)	PORT SIZE	
	A	B	C	D	E	F	G	H	I	J	K	L	M	N	O	P	Q	R	W	Z			SUCTION	DISCHARGE
1CG8	52-3/4	19-1/2	-	9-3/4	16-11/16	9	5	1-7/8	6-1/8	7/8	5	31	11	5-3/8	7/8	9-1/2	1-1/8	15-5/8	11-1/2	1	1/2 X 3 1/2	450	6"	5"
2CG8	65-3/16	31-15/16	-	9-3/4	16-11/16	9	5	1-7/8	15-9/16	7/8	5	34	11	5-3/8	7/8	9-1/2	1-1/8	15-5/8	11-1/2	1	1/2 X 3 1/2	545	6"	5"
3CG8	77-5/8	44-3/8	27	9-3/4	16-11/16	9	5	1-7/8	6	7/8	5	29	11	5-3/8	7/8	9-1/2	1-1/8	15-5/8	11-1/2	1	1/2 X 3 1/2	596	6"	5"
1CG10	50-11/16	17-7/16	-	9-3/4	16-11/16	9	5	1-7/8	5-1/16	7/8	5	30	11	5-3/8	7/8	9-1/2	1-1/8	15-5/8	11-1/2	1	1/2 X 3 1/2	492	6"	6"
2CG10	61-1/8	27-7/8	-	9-3/4	16-11/16	9	5	1-7/8	10-1/2	7/8	5	35	11	5-3/8	7/8	9-1/2	1-1/8	15-5/8	11-1/2	1	1/2 X 3 1/2	580	6"	6"
3CG10	71-7/16	38-3/16	18	9-3/4	16-11/16	9	5	1-7/8	7-13/16	7/8	5	30	11	5-3/8	7/8	9-1/2	1-1/8	15-5/8	11-1/2	1	1/2 X 3 1/2	615	6"	6"
1CG10H	56	22-3/4	-	9-3/4	16-11/16	9	5	1-7/8	10-3/8	7/8	5	30	11	5-3/8	7/8	9-1/2	1-1/8	15-5/8	11-1/2	1	1/2 X 3 1/2	494	6"	6"
2CG10H	71-7/16	38-3/16	18	9-3/4	16-11/16	9	5	1-7/8	7-13/16	7/8	5	30	11	5-3/8	7/8	9-1/2	1-1/8	15-5/8	11-1/2	1	1/2 X 3 1/2	615	6"	6"
1CG12	63-3/4	24-3/4	-	12-1/2	21	12-5/8	6	2-1/4	8-1/4	1	6	37-1/2	13-1/2	6-1/8	7/8	11-3/4	1-1/8	18	14-1/2	1	1/2 x 4	960	8"	8"
2CG12	79-7/16	40-7/16	18	12-1/2	21	12-5/8	6	2-1/4	5-15/16	1	6	37-1/2	13-1/2	6-1/8	7/8	11-3/4	1-1/8	18	14-1/2	1	1/2 x 4	1155	8"	8"
3CG12	95-1/16	56	27	12-1/2	21	12-5/8	6	2-1/4	8-1/16	1	6	42	13-1/2	6-1/8	7/8	11-3/4	1-1/8	18	14-1/2	1	1/2 x 4	1285	8"	8"
1CG12H	71-9/16	32-9/16	-	12-1/2	21	12-5/8	6	2-1/4	11-9/16	1	6	42	13-1/2	6-1/8	7/8	11-3/4	1-1/8	18	14-1/2	1	1/2 x 4	1025	8"	8"
2CG12H	95	56	27	12-1/2	21	12-5/8	6	2-1/4	8	1	6	42	13-1/2	6-1/8	7/8	11-3/4	1-1/8	18	14-1/2	1	1/2 X 4	1285	8"	8"

Dimensions are for reference only.

Do not use above dimensions for limited space installations, request certified drawing.

∅ = diameter

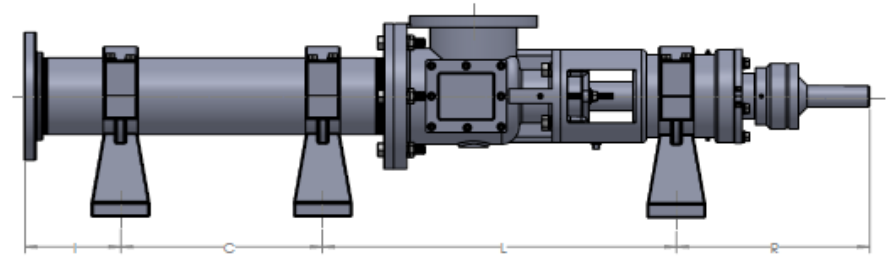
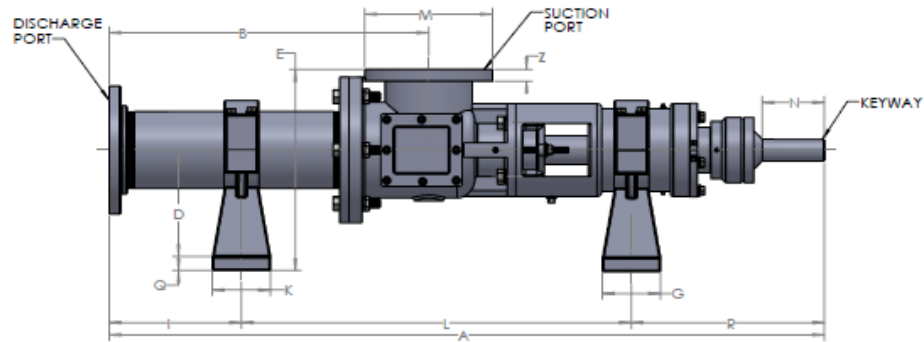
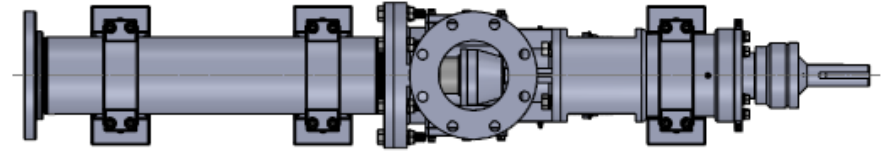
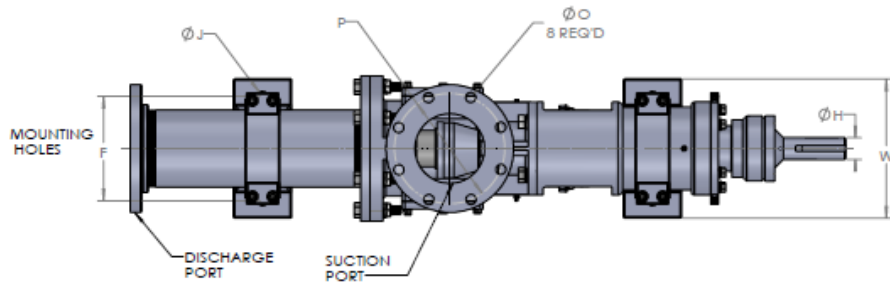
Continental Pump Company

29425 State Hwy B | Warrenton, Missouri 63383 | Tel: 636-456-6006 | Fax: 636-456-4337 | Email:sales@con-pump.com

www.continentalultrapumps.com



CG Model



FOR PUMPS REQUIRES
TWO STATOR SUPPORTS

Continental Pump Company

29425 State Hwy B | Warrenton, Missouri 63383 | Tel: 636-456-6006 | Fax: 636-456-4337 | Email: sales@con-pump.com

www.continentalultrapumps.com