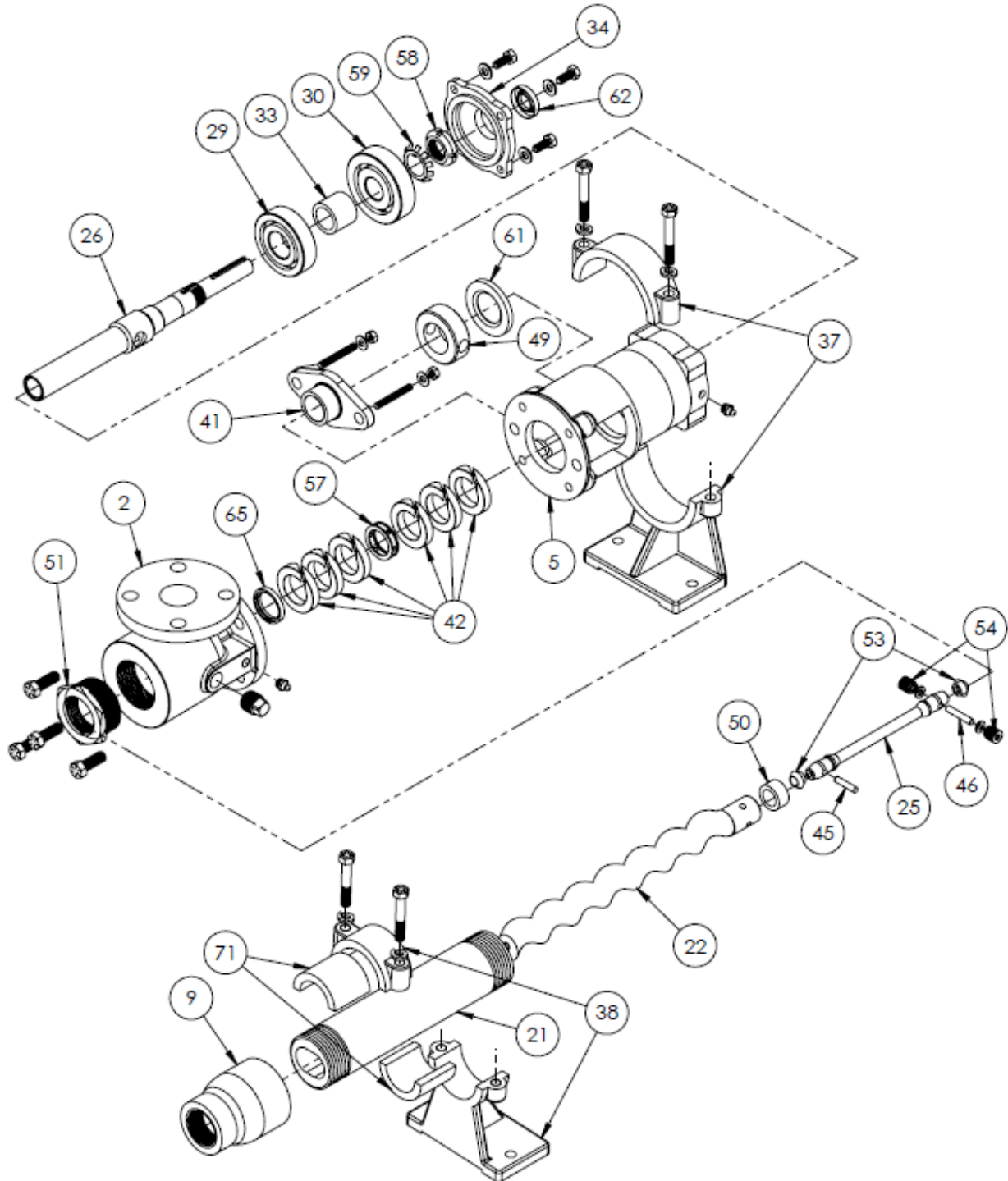




Disassembly and reassembly of a Continental CL & CM Progressing Cavity Pump

CM Models: CM1, CM2, CM3 and CM4



#71 is only used on CM2

Continental Pump Company

29425 State Hwy B | Warrenton, Missouri 63383 | Tel: 636-456-6006 | Fax: 636-456-4337 | Email: sales@con-pump.com
www.continentalultrapumps.com



Disassembly and reassembly of a Continental CL & CM Progressing Cavity Pump

CM Models: CM1, CM2, CM3 and CM4

1. Remove the reducer, #9 from the discharge end of the pump. Remove clamp bolts from stator housing support, #38, and pull off the top half of stator support from stator, #21. Place temporary support under suction housing, #2, using a block of wood. Remove the bottom half of the stator support, #38.
2. By using pipe wrench remove stator, #21, from main body casting, #2. Pull stator, #21, off rotor, #22.
3. Remove two drive pin retainer screws, #54, with allen wrench and driveshaft pin, #46, by pushing pin through collar, #49.
4. Slide collar, #49, back to packing gland, #41.
5. Remove two drive pin washers, #73. It is best to use new drive pin washers when re-assembling.
6. Pull rotor, #22, out of driveshaft, #26.
7. To dis-assemble rotor and connecting rod, press rotor band, #50, off rotor, #22, push rotor pin, #45, out of rotor, #22, then pull connecting rod, #25 out of rotor, #22. To re-assemble rotor and connecting rod, use new connecting rod washers, #53.
8. Remove four cap screws from bearing cover plate, #34.
9. We recommend using a press to remove driveshaft, #26 and bearing assembly from bearing housing, #5. If press is not available insert a small rod into driveshaft, #26, through main body casting, #1, and drive the bearing assembly and driveshaft out of main body casting, #2
10. To dis-assemble driveshaft, #26 and ball bearings, remove lock nut, #58, and washer, #59, then press bearings, #29 and #30, and bearing spacer, #33, off driveshaft, #26. When reinstalling bearings, #29 and #30, they should be packed with good anti-friction bearing grease.
11. Remove packing gland bolts and packing gland, #41.
12. Remove packing, #42, and note how the packing rings are staggered. When repacking, stagger the ends of packing. Remove lantern ring, #57, and packing gland insert, #65.
13. Press out the radial grease seal, #61, from the bearing housing and the thrust grease seal, #62, out of the bearing cover plate, #34.
14. To re-assemble, reverse the above procedure.

Continental Pump Company

29425 State Hwy B | Warrenton, Missouri 63383 | Tel: 636-456-6006 | Fax: 636-456-4337 | Email: sales@con-pump.com
www.continentalultrapumps.com